

Double output power supply unit

DAT 411



FEATURES

- AC line input: 24, 120 or 230 Vac @ 50-60 Hz
- Two isolated outputs
- Power supply unit for transmitters
- EMC compliant – CE mark
- In compliance with the safety standard
- Suitable for DIN rail mounting in compliance with EN 50022 and EN-50035

GENERAL DESCRIPTION

The power supply unit DAT 411 is designed to provide two not regulated isolated outputs to power the DATEXEL devices like transmitters and low current consumption converters.

In function of the version, the device can accept three input voltage values: 24, 120 or 230 Vac.

The DAT 411 is in compliance with the Directive 2004/108/EC on the Electromagnetic Compatibility.

It is housed in a plastic enclosure of 28 mm thickness suitable for DIN rail mounting in compliance with EN-50022 and EN-50035 standards.

USER INSTRUCTIONS

The DAT 411 must be connected as follows:

The input connections must be made as shown in the section "Input connections".

The input voltage (AC line) must be applied between the terminals G (IN AC) and H (IN AC).

The output connections must be made as shown in the sections "Output 1 & 2 connections"

The output signal Out 1 is provided between the terminals F (+Vout1) and E (GND1), The output signal Out 2 is provided between the terminals D (+Vout2) and C (GND2).

To install the transmitter refer to section "Installation Instructions".

TECHNICAL SPECIFICATIONS (Typical at 25 °C and in nominal conditions)

Input	
Input voltage	24 Vac ± 10 % @ 50-60 Hz. 120 Vac ± 10 % @ 50-60 Hz. 230 Vac ± 10 % @ 50-60 Hz.
Outputs	
Output 1 (Out 1)	20 Vdc @ 25 mA not regulated for Rload = 250 ohm
Output 2 (Out 2)	20 Vdc @ 25 mA not regulated for Rload = 250 ohm
Load resistance (Rload)	see section "Load characteristic"
Environmental data	
Safety	EN 61010-1
Electromagnetic Compatibility (EMC) (for industrial environments)	Immunity: EN 61000-6-2; Emission : EN 61000-6-4.
Operating Temperature	-20 ÷ 60 °C
Storage Temperature	-40 ÷ 85 °C
Humidity (not condensed)	0 ÷ 90%
Weight	about 130 g

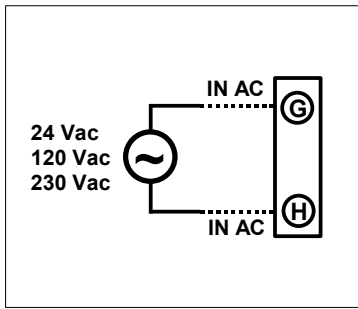
INSTALLATION INSTRUCTIONS

The device DAT 411 is suitable for DIN rail mounting.

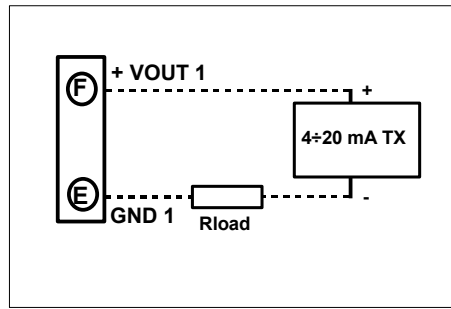
It is necessary to install the device in a place without vibrations; avoid to routing conductors near power signal cables .

DAT 411 CONNECTIONS

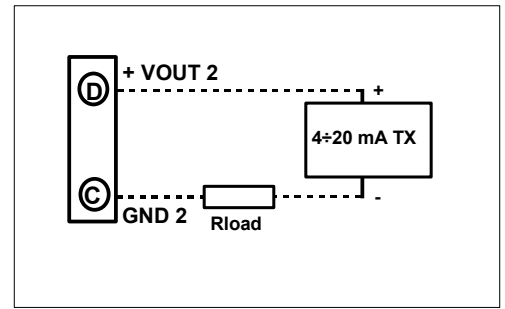
INPUT CONNECTIONS



OUTPUT 1 CONNECTIONS



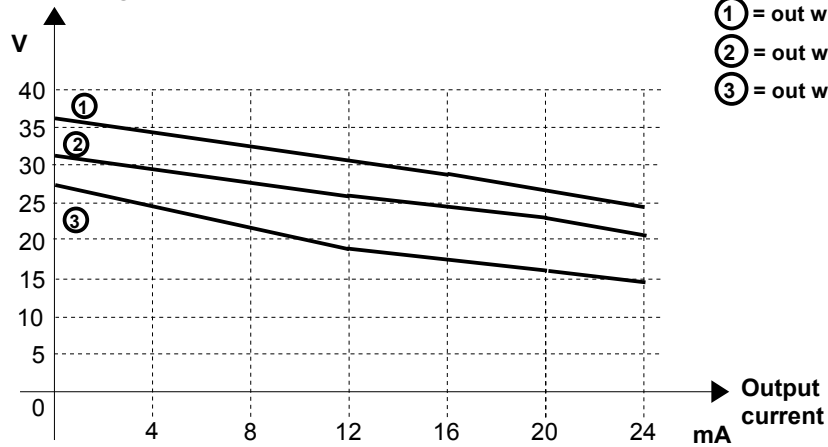
OUTPUT 2 CONNECTIONS



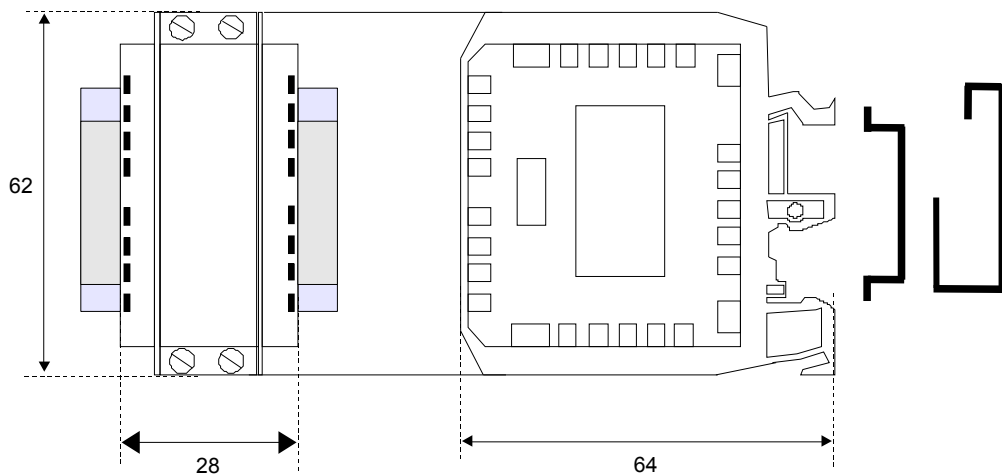
Note: terminals A and B not connected (NC).

LOAD CHARACTERISTIC

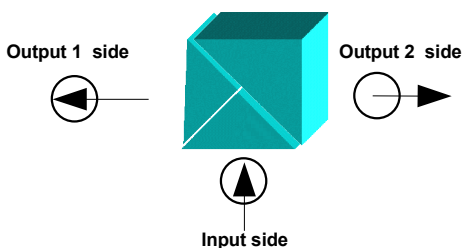
Output voltage



DIMENSIONS (mm)



ISOLATION STRUCTURE



HOW TO ORDER

The DAT 411 is supplied as requested from the customer in phase of order. (24, 120 or 230 Vac).

ORDER CODE: DAT 411 **230 Vac**

AC line value